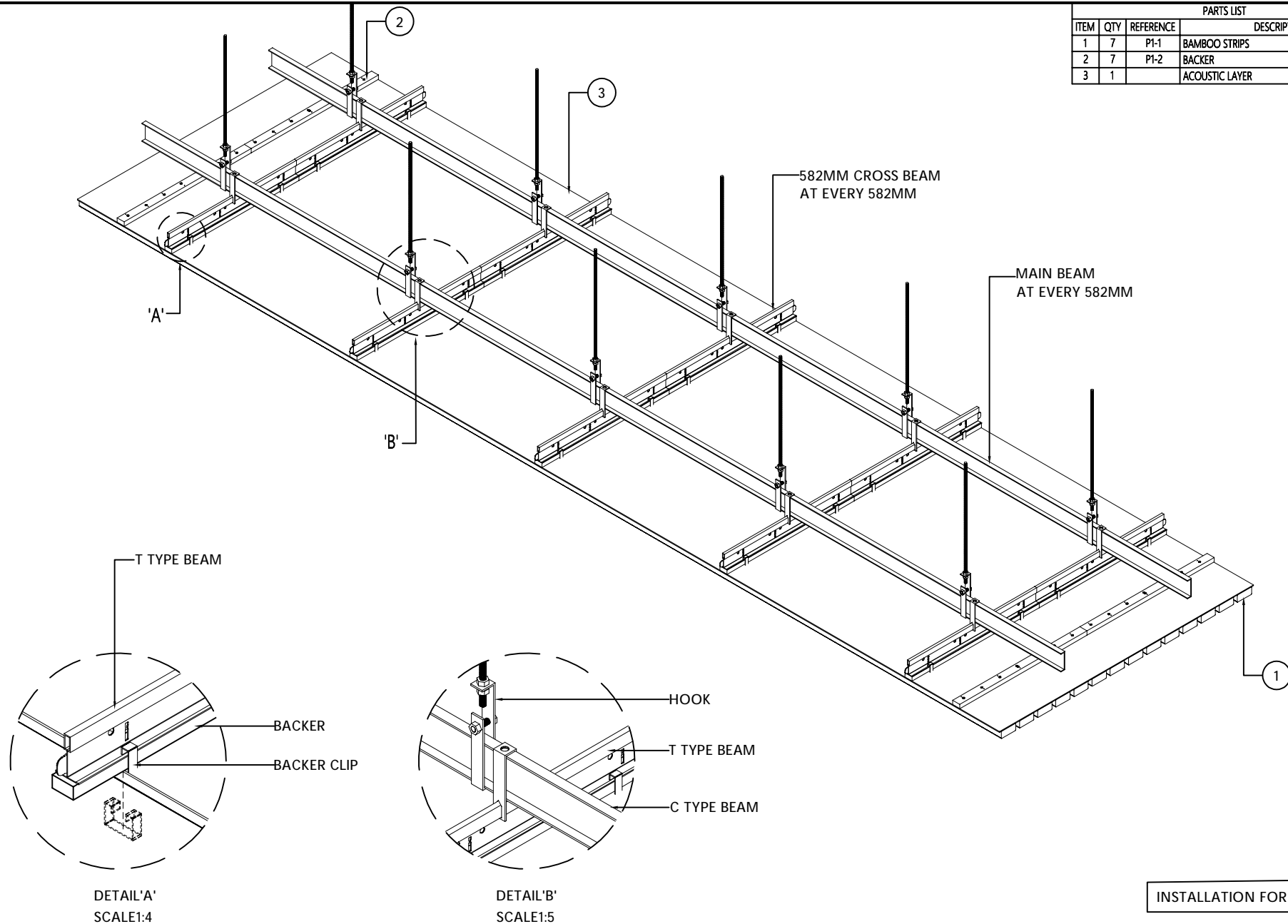


| PARTS LIST | | | |
|------------|-----|-----------|----------------|
| ITEM | QTY | REFERENCE | DESCRIPTION |
| 1 | 7 | P1-1 | BAMBOO STRIPS |
| 2 | 7 | P1-2 | BACKER |
| 3 | 1 | | ACOUSTIC LAYER |



GREEZU 赣州森泰竹木有限公司
Ganzhou Sentai Bamboo&Wood Co., Ltd

系列名称: 户外
SERIES NAME
产品名称: 户外格栅
PRODUCT

产品型号: WC12-4520G/P
MODEL
规格: 5800/2900*400*25
SIZE

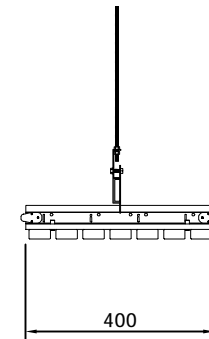
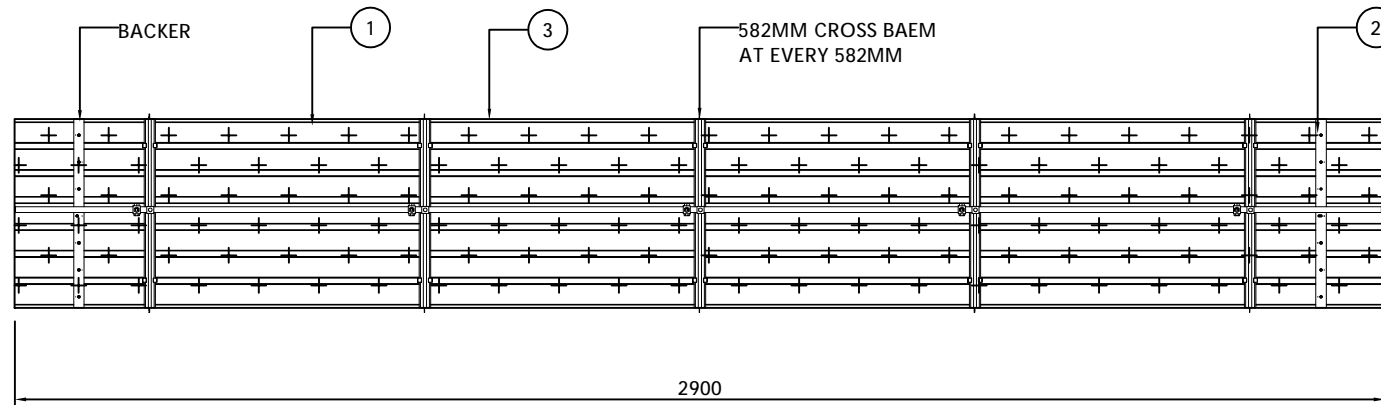
设计:
DEVISER
制图: 叶军华
DRAW BY

审核:
AUDITING
生效日期: 2021-09-4
APPROVED DATE

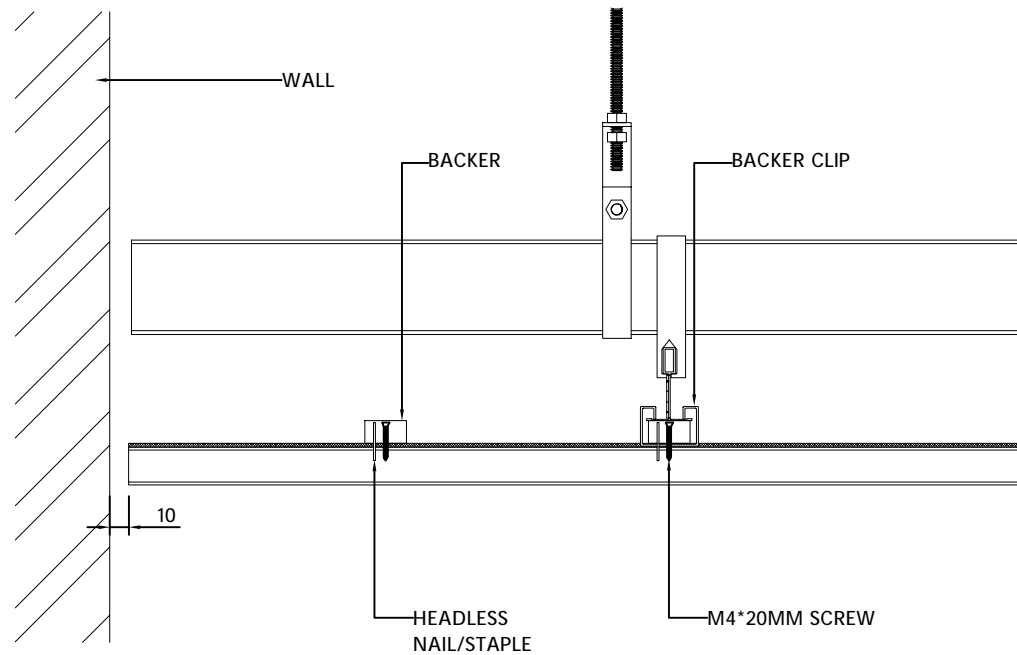
修改次数:
AMEND NO
版本号: A
EDITION NO

备注:
REMARK:

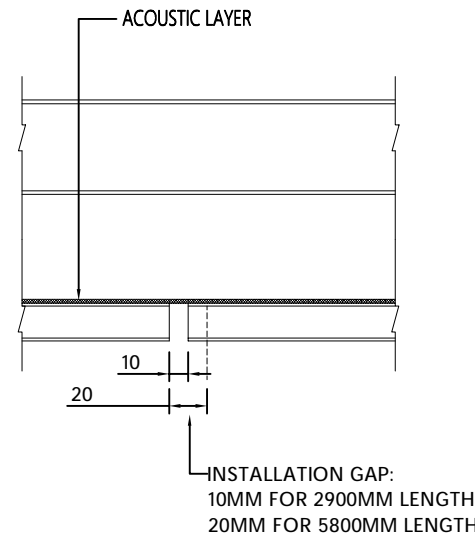
| PARTS LIST | | | |
|------------|-----|-----------|----------------|
| ITEM | QTY | REFERENCE | DESCRIPTION |
| 1 | 7 | P1-1 | BAMBOO STRIPS |
| 2 | 7 | P1-2 | BACKER |
| 3 | 1 | | ACOUSTIC LAYER |



SCALE1:16



INSTALLATION
SCALE1:4



GREEZU 赣州森泰竹木有限公司
Ganzhou Sentai Bamboo&Wood Co., Ltd

系列名称: 户外
SERIES NAME

产品名称: 户外格栅
PRODUCT

产品型号: WC12-4520G/P
MODEL

规格: 5800/2900*400*25
SIZE

设计:
DEVISER

制图: 叶军华
DRAW BY

审核:
AUDITING

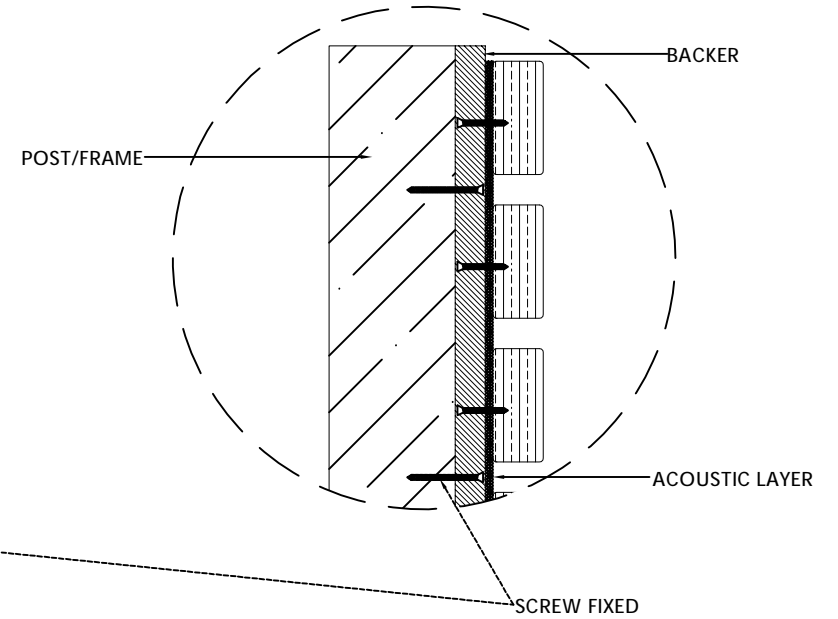
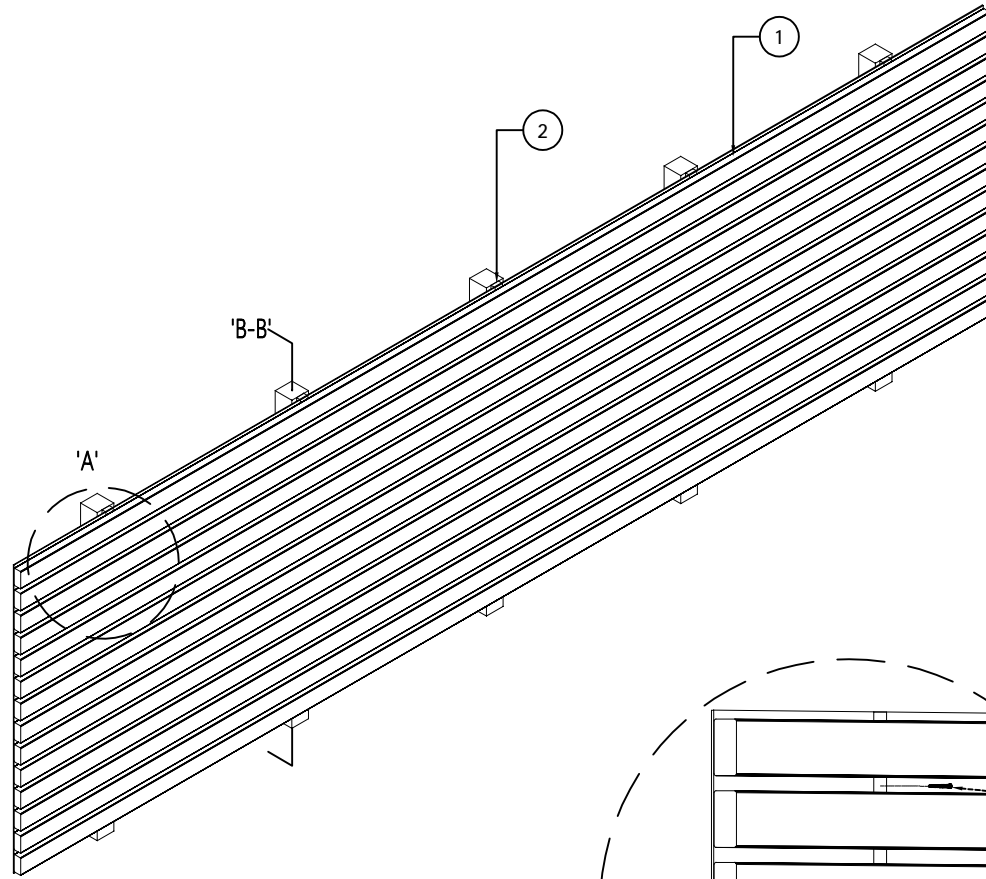
生效日期: 2021-09-4
APPROVED DATE

修改次数:
AMEND NO

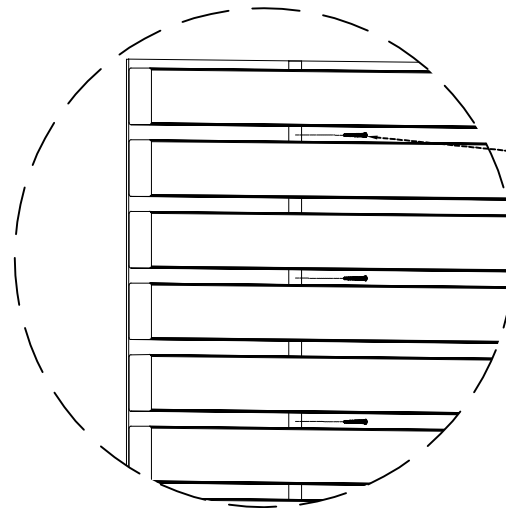
版本号: A
EDITION NO

备注:
REMARK:

| PARTS LIST | | | |
|------------|-----|-----------|----------------|
| ITEM | QTY | REFERENCE | DESCRIPTION |
| 1 | 7 | P1-1 | BAMBOO STRIPS |
| 2 | 7 | P1-2 | BACKER |
| 3 | 1 | | ACOUSTIC LAYER |



DETAIL 'B-B'
SCALE 1:3



DETAIL 'A'
SCALE 1:7

INSTALLATION FOR WALL

GREEZU 赣州森泰竹木有限公司
Ganzhou Sentai Bamboo & Wood Co., Ltd

系列名称: 户外
SERIES NAME

产品名称: 户外格栅
PRODUCT

产品型号: WC12-4520G/P
MODEL

规格: 5800/2900*400*25
SIZE

设计:
DEVISER

制图: 叶军华
DRAW BY

审核:
AUDITING

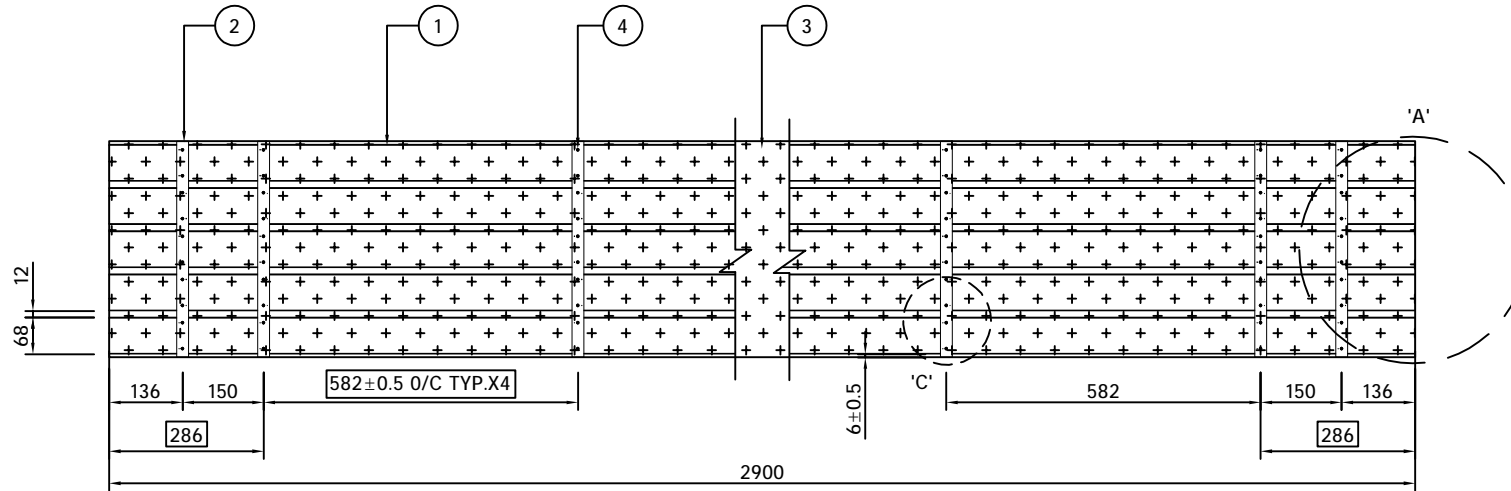
生效日期: 2021-09-4
APPROVED DATE

修改次数:
AMEND NO

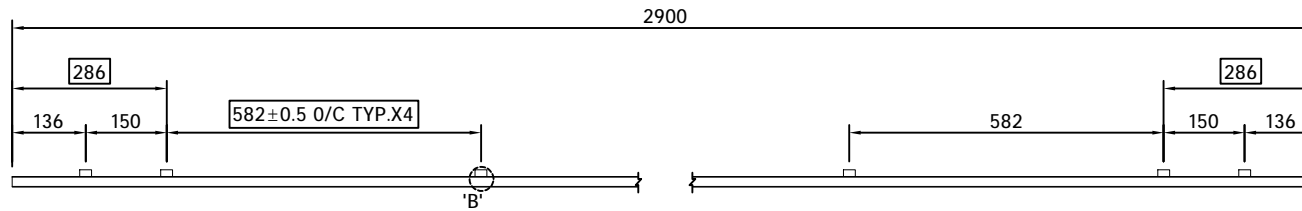
版本号: A
EDITION NO

备注:
REMARK:

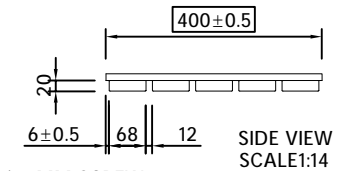
| PARTS LIST | | | |
|------------|-----|-----------|----------------------------|
| ITEM | QTY | REFERENCE | DESCRIPTION |
| 1 | 5 | P3-1 | 2900*68*20MM BAMBOO STRIPS |
| 2 | 7 | P3-2 | BACKER |
| 3 | 1 | | ACOUSTIC LAYER |
| 4 | 70 | | SCREWS *10NOS./BACKER |



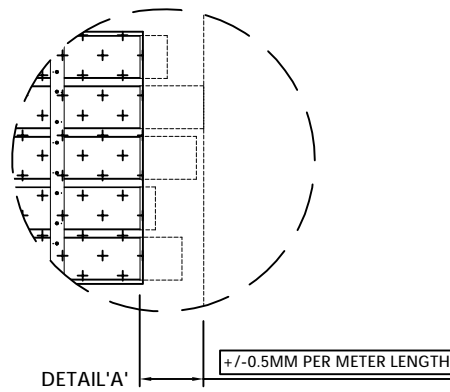
TOP VIEW
SCALE:1:14



FRONT VIEW
SCALE:1:14

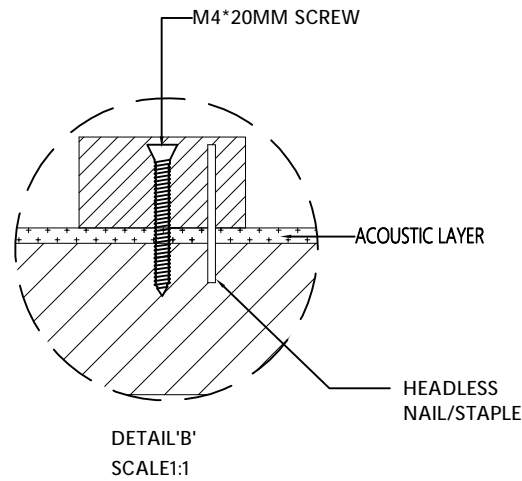


SIDE VIEW
SCALE:1:14

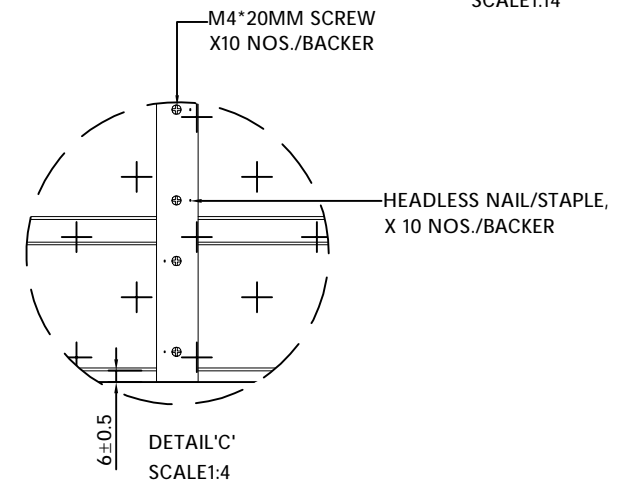


DETAIL 'A'

+/-0.5MM PER METER LENGTH



DETAIL 'B'
SCALE:1:1



DETAIL 'C'
SCALE:1:4

GREEZU 赣州森泰竹木有限公司
Ganzhou Sentai Bamboo&Wood Co., Ltd

系列名称: 户外
SERIES NAME

产品名称: 户外格栅
PRODUCT

产品型号: WC12-6820G/P
MODEL

规格: 2900*400*25
SIZE

设计:
DEVISER

制图: 叶军华
DRAW BY

审核:
AUDITING

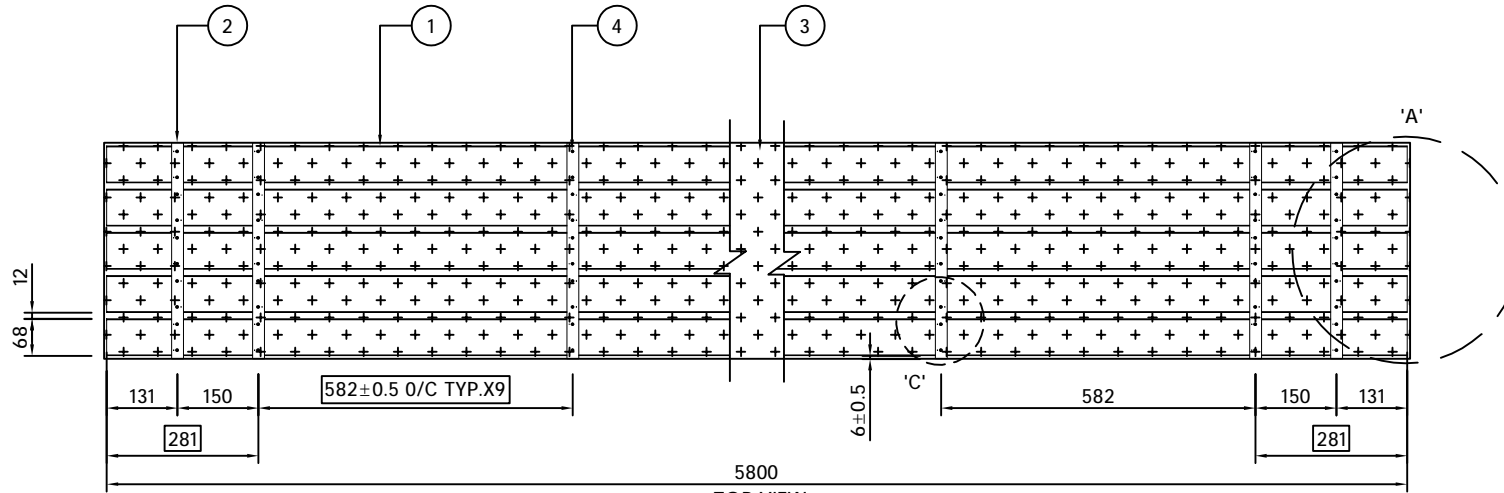
生效日期: 2021-09-4
APPROVED DATE

修改次数:
AMEND NO

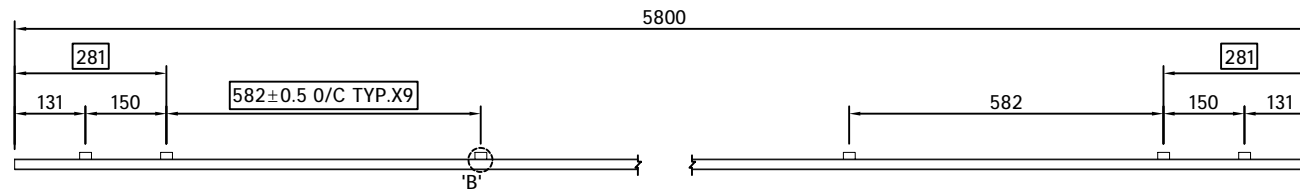
版本号: A
EDITION NO

备注:
REMARK:

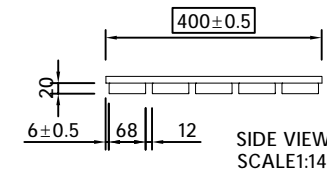
| PARTS LIST | | | |
|------------|-----|-----------|----------------------------|
| ITEM | QTY | REFERENCE | DESCRIPTION |
| 1 | 5 | P3-1 | 5800*68*20MM BAMBOO STRIPS |
| 2 | 12 | P3-2 | BACKER |
| 3 | 1 | | ACOUSTIC LAYER |
| 4 | 120 | | SCREWS *10NOS./BACKER |



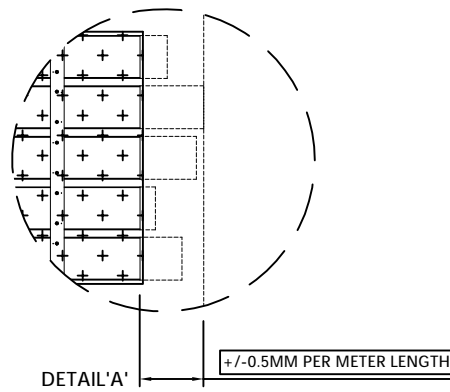
TOP VIEW
SCALE 1:14



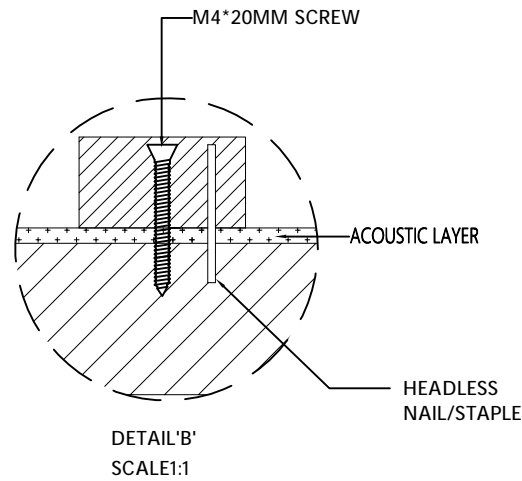
FRONT VIEW
SCALE 1:14



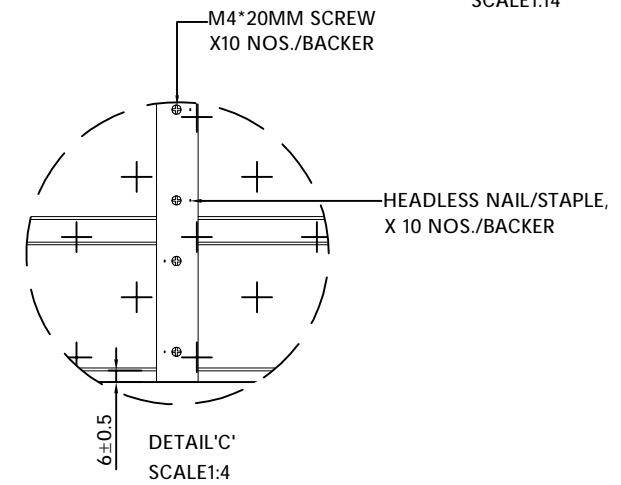
SIDE VIEW
SCALE 1:14



DETAIL 'A'



DETAIL 'B'
SCALE 1:1



DETAIL 'C'
SCALE 1:4

GREEZU 赣州森泰竹木有限公司
Ganzhou Sentai Bamboo&Wood Co., Ltd

系列名称: 户外
SERIES NAME
产品名称: 户外格栅
PRODUCT

产品型号: WC12-6820G/P
MODEL
规格: 5800*400*25
SIZE

设计:
DEVISER
制图: 叶军华
DRAW BY

审核:
AUDITING
生效日期: 2021-09-4
APPROVED DATE

修改次数:
AMEND NO
版本号: A
EDITION NO

备注:
REMARK: